

VENTEX® 400M ATEX IECEX

The VENTEX® 400M ATEX IECEX fan is among the World's first range of independently dual certified IECEX/ATEX portable ventilation fans which are certified to both Electrical & Non-Electrical standards.

This fan offers global safety solutions for hazardous area ventilation. Providing a new generation in ventilation safety without compromise.

The high performing compact and durable industrial design provides an efficient solution to confined space ventilation for hazardous areas.

Features & Benefits

- ✓ Independently dual certified to ATEX & IECEX
- ✓ Easy to use (plug & play) with integrated stop/start
- ✓ Power lead (5m) with plug. Alternative plugs available on request

Key Applications

- ✓ Confined space environments
- ✓ Hazardous areas

[Request Price](#)



VENTEX®

VENTEX® 400M ATEX IECEX

Whilst RVT take every precaution to ensure products are fit for purpose, it is the responsibility of the ultimate end user to ensure compliance with any Hazardous Area Classification.

CERTIFICATION: ELECTRICAL

MOTOR

Zone 1, Ex de IIB T4 Gb, IP54

Certified to ATEX/IECEX

SWITCH

ATEX Certification II 2 G Ex mb IIc T6 Gb IECEX Certification Ex mb

IIC Tb **PLUG**

ATEX /IECEX

Exde IIC T5/T6

CERTIFICATION: NON-ELECTRICAL

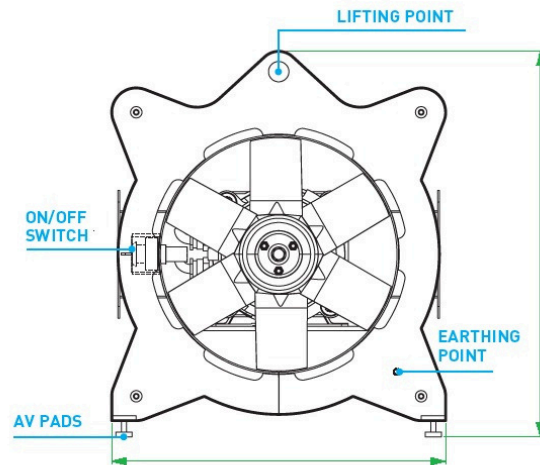
ATEX Zone 1 Category 2G IIB T4

Certificate Number Sira 09ATEX 6230X IECEX Ex h Gb

IIB T4 Certificate Number IECEX SIR17.0076X

STANDARDS:

ISO 80079-36:2016 Non-electrical equipment for explosive atmospheres
ISO 80079-37:2016 Non-electrical type of protection constructional safety
BS EN 14986: 2017



Technical specification

Maximum	7800m ³ /hr (2.16m ³ /s)
Airflow Motor	110v motor option FLC 10Amps 230v motor option FLC 7Amps
Power supply	230v or 110v / 50Hz or 60Hz
Weight	39kg
Ancillary items:	-Anti-static ducting (5m) with quick release clamp -Ducting extension kit -Earth cable (2m) with clamp

